

The Dräger Linea

Combine flexibility and economics with a complete line of custom bedhead units that give you electrical, gas and IT supply solutions, and even illumination options for a variety of general and specialised applications.



SPACE-SAVING FLEXIBILITY

The Linea family of bedhead units was designed for use in almost any care environment. From normal wards to intensive care or in induction, observation and recovery rooms – the Linea family is a highly modular media supply solution that can be custom built to your specifications.

SOLID, MODULAR CONSTRUCTION

The Linea is constructed from robust, extruded aluminium profiles. Rounded corners and edges as well as seamless fittings mean safety, hygiene and easy cleaning. The length of the Linea wall supply unit and the number of installation ducts for media terminals can be freely determined. You get the supply capability you need for nearly any application without having to compromise. Media terminals can be positioned as desired.

APPEALING DESIGN

The Linea family was designed to complement a wide range of modern interior designs. You also have your choice of faceplates in 16 standard RAL colours or even custom colours which can help you create a pleasant and relaxing environment for your patients.

SOLUTIONS FOR YOU AND YOUR PATIENTS

Like all solutions from Dräger, the Linea family is designed to make your clinical routine easy and efficient. The products offered by Dräger are made with flexibility and compatibility in mind. By helping you to get the most out of the space available to you, the Linea family helps you to be more cost-effective. The use of standard rails means that the Linea can be used in combination with a wide range of Dräger accessories as well as conformity-assessed third-party equipment. By providing reading lighting for your patients and orientation lighting for your staff, the Linea family provides safety and comfort for everyone involved.

MT-4332-2007



Example Linea I, RAL 9002

MT-4323-2007



Example Linea IM, RAL 1003

MT-4324-2007



Example Linea N, RAL 2004



D-288-2010

Linea I

MT-4307-2007

Linea IM

MT-4306-2007

Linea N**Linea I – for intensive care**

The Linea I features your choice of single-, double- or triple-duct design. Both upper and lower sections come equipped with integrated standard rails, while the middle section is reserved for the installation of media terminals for medical gases, vacuum, power supply and IT.

- Upper and lower section with integrated standard rail for flexible equipment mounting and positioning
- Ample space for installation media terminals for medical gases as well as power supply and IT
- Syringe pumps firmly mounted using both upper and lower integrated standard rails

Linea IM – for intermediate care applications

The Linea IM is available in single-, dual- or triple-duct versions. The middle section is reserved for media terminals for medical gases, vacuum, IT and power supply. Either the upper or the lower section can be configured for illumination or for an optional standard rail. Depending on configuration you have a choice of the following options: indirect illumination, reading light and night light.

- Upper or lower section standard rail provides flexible mounting options for monitors, lights and other devices
- Ergonomically placed media terminals for medical gases as well as power supply and IT
- Upper or lower section features integrated light options

Linea N – for normal wards

The Linea N features a triple-section design. The upper section is reserved for indirect illumination and the night light, while the middle section was designed for the installation of media terminals for medical gases, vacuum, IT and power supply. The lower section features a reading light. Your choice of full-length or short standard rail can be mounted between the sections for lighting and terminals.

- Upper section for indirect illumination, night light and optional standard rail
- Middle section: up to three ducts for media terminals for gases, IT and power supply
- Lower section: reading light and optional standard rail

D-21605-2010



The Linea I (intensive care) provides you with the maximum number of accessory options. It is available only with an integrated night light.

D-21609-2010




















The Linea IM (intermediate care) offers both a range of accessory mounting and illumination options.

D-21609-2010

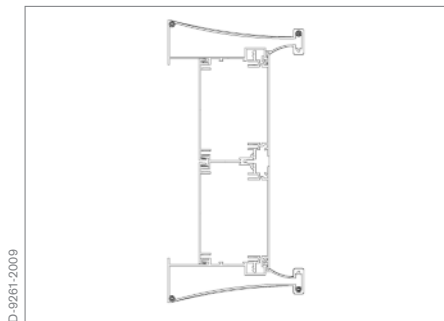


The Linea N (normal care) gives you a complete set of integrated illumination options.

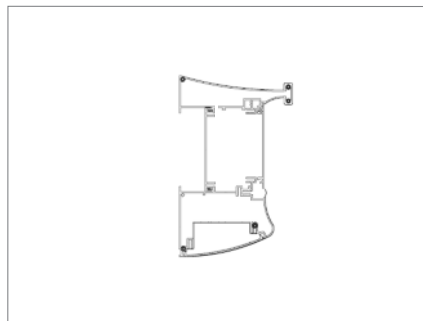
RAL COLOURS*

| | | | | | |
|---|--------------------------|---|----------------------------|---|----------------------------|
|  | RAL 1003 – Signal yellow |  | RAL 5002 – Aquamarine blue |  | RAL 9001 – Cream |
|  | RAL 1015 – Ivory |  | RAL 5005 – Signal blue |  | RAL 9002 – Grey-white |
|  | RAL 2004 – Orange |  | RAL 5014 – Pigeon blue |  | RAL 9005 – Jet black |
|  | RAL 3002 – Carmine red |  | RAL 6024 – Traffic green |  | RAL 9006 – White aluminium |
|  | RAL 3015 – Light pink |  | RAL 6027 – Light green |  | RAL 9016 – White |
|  | RAL 4005 – Blue-lilac |  | RAL 7047 – Grey | | |

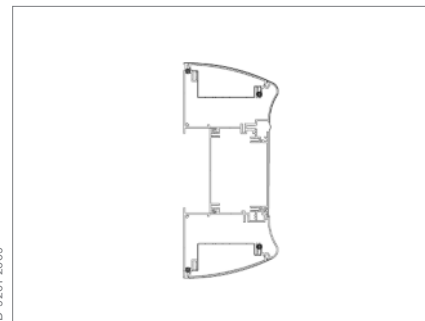
*Colours can vary from original shade.



Linea I



Linea IM



Linea N

TECHNICAL DATA

| | Linea I | Linea IM | Linea N - for normal wards |
|------------------------|---|--|--|
| Height/depth | 174 mm/135 mm (with 1 media duct) 275 mm/135 mm (with 2 media ducts) 385 mm/135 mm (with 3 media ducts) | 213 mm/135 mm (with 1 media duct) 313 mm/135 mm (with 2 media ducts) 423 mm/135 mm (with 3 media ducts) | 251 mm/110 mm (with 1 media duct) 351 mm/110 mm (with 2 media ducts) 461 mm/110 mm (with 3 media ducts) |
| Lighting | No lighting Optional integrated night light in media duct | Indirect lighting 1 x 54 watt with electronic ballast and orientation light 1 x 7 watt (above) or reading light 1 x 24 watt with electronic ballast (below) | Indirect lighting 1 x 54 watt with electronic ballast and orientation light 1 x 7 watt (above) and/or reading light 1 x 24 watt with electronic ballast (below) |
| Accessories | Dräger accessories for standard rails | Dräger accessories for standard rails | Dräger accessories for standard rails (only if Linea N is equipped with optional standard rail) |
| Rows of outlets | 1 / 2 / 3 | 1 / 2 / 3 | 1 / 2 / 3 |
| Outlet spacing | Ensure there is at least 200 mm between gas terminal units (for flammable or oxidising gases) and electrical outlets The minimum distance between two electrical outlets is 75 mm and between two gas outlets 100 mm | | |
| Outlets | Grounded outlets in various colours, with or without indicator light and in a variety of country standards, equipotential bonding pins, gas terminal units for medical gases, low-voltage devices such as nurse alert, RJ-45 data jack, telephone connections, etc. | | |
| Wall mount | Via dowel pin on the wall; torques of max. 250 Nm per metre of duct; optional side or back media feed | | |
| Length | Up to 6 m long; freely selectable | | |
| Surface | 16 standard RAL colours to choose from; other RAL colours available on request | | |
| Load capacity | Standard rails support a max. of 50 kg per metre | | |
| Medical product | Fulfils medical MDD (Medical Device Directive) | | |

CORPORATE HEADQUARTERS

Drägerwerk AG & Co. KGaA
Moislinger Allee 53–55
23558 Lübeck, Germany

www.draeger.com

Distributed by:

REGION EUROPE CENTRAL AND EUROPE NORTH

Dräger Medical GmbH
Moislinger Allee 53–55
23558 Lübeck, Germany
Tel +49 451 882 0
Fax +49 451 882 2080
info@draeger.com

REGION EUROPE SOUTH

Dräger Médical S.A.S.
Parc de Haute
Technologie d'Antony 2
25, rue Georges Besse
92182 Antony Cedex, France
Tel +33 1 46 11 56 00
Fax +33 1 40 96 97 20
d1mfr-contact@draeger.com

REGION MIDDLE EAST, AFRICA, CENTRAL AND SOUTH AMERICA

Dräger Medical GmbH
Branch Office Dubai
Dubai Healthcare City, P.O. Box 505108
Dubai, United Arab Emirates
Tel + 971 436 24 762
Fax + 971 436 24 761
contactuae@draeger.com

REGION ASIA / PACIFIC

Draeger Medical
South East Asia Pte Ltd
25 International Business Park
#04-27/29 German Centre
Singapore 609916, Singapore
Tel +65 6572 4388
Fax +65 6572 4399
asia.pacific@draeger.com

Manufacturer:

V.T.S. Vision Technology Systems
GmbH Arnsberg, Germany
The quality management system of V.T.S. Vision Technology Systems GmbH is certified according to ISO 13485, ISO 9001 and Annex II of Directive 93/42/EEC (medical devices).