

## Linea Wall supply units

The Linea product family is a wall supply system offering three models for flexible and optimally adaptable solutions for the different care areas – normal, intermediate and critical. The configuration can also be adapted to meet the requirements for induction, recovery and treatment rooms.



### MODULAR STRUCTURE

- Adjustable length
- Expandable and upgradeable
- Smooth, hygienic surfaces
- Flexible positioning of gas terminal units and electronic connections
- Variety of integrated light options to choose from

### TWO ASSEMBLY SYSTEMS

#### Assembly system 1

First, the gas terminal units are mounted and tested. Only after the completion of all construction work is the Linea wall supply unit assembled. This keeps any damage to a minimum.

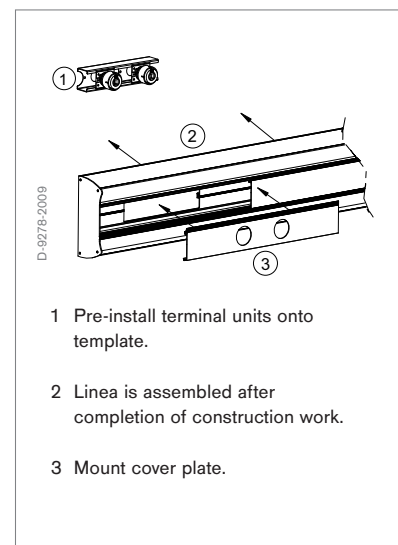
Each work step is independent of the other and both can be completed by Dräger. In this case, the complete installation for the medical gases is covered under a single warranty and area of responsibility, saving both time and cost.

#### Assembly system 2

The pipelines and gas terminal units are permanently integrated into the wall supply unit. Separate preinstallation and final assembly of the Linea wall supply unit is not possible. The Linea wall supply unit is delivered as a complete unit, ready for connection, including all fixtures for medical gases.



MT-4330-2007



## Can be set up individually

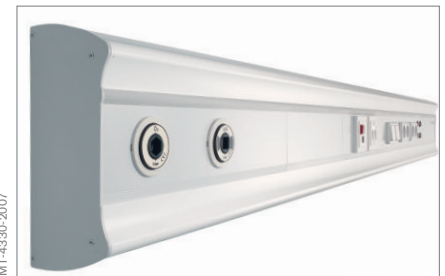
All three models of the Linea product family are modular in design and made of extruded aluminum profiles. The length can be freely configured up to a maximum of 6 m.



Linea I - two duct



Linea IM



Linea N

### Linea I:

This wall supply system for the intensive care area offers one, two or three ducts.

- Integrated standard rail in the top and bottom sections
- Electrical outlets, low-voltage components and gas terminal units can be installed in both sections.

### Linea IM:

This two-duct wall supply system was designed for intermediate care

- Top section: Indirect lighting and night light or integrated standard rail
- Lower section: Reading light or integrated standard rail
- Middle section: Electrical outlets, low-voltage components and gas terminal units.

Depending on the lighting option selected, the Linea IM can be rotated for installation.

### Linea N:

This three-duct modular system for normal care can be perfectly adapted to the required depth of care:

- Top section: Indirect lighting and night light
- Middle section: Electrical outlets, low-voltage components and gas terminal units.
- Lower section: Reading light

Normal equipment rails can be installed on the top and bottom over the whole length or in sub-lengths.



Example: Front plates in the standard RAL 9002 colour

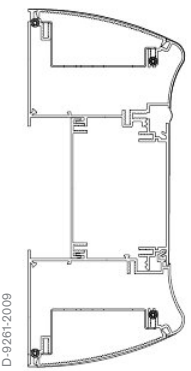
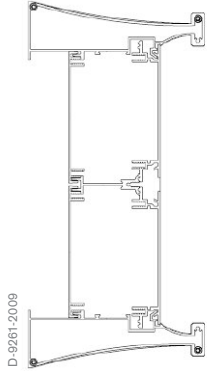
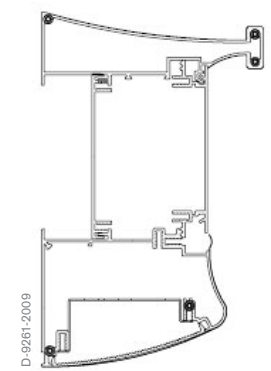


Example: Front plates in RAL 1003



Example: Front plates in RAL 2004

**SPECIFICATIONS**

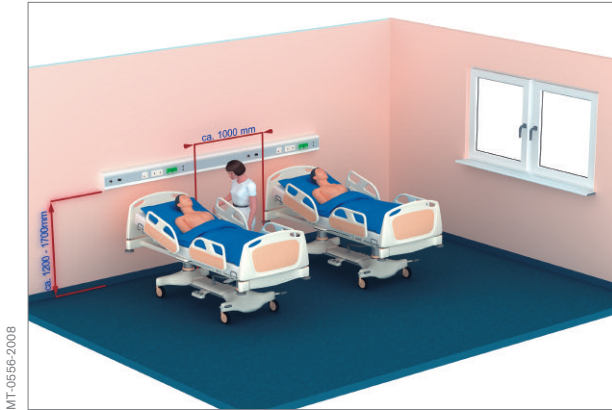
	<b>Linea N</b>	<b>Linea I</b>	<b>Linea IM</b>
<b>Height/depth</b>	250 mm/115 mm	358 mm/135 mm (with two component rails)	213 mm/135 mm
			
<b>Lighting</b>	Indirect lighting 1 x 54 watt with electronic ballast and orientation light 1 x 7 watt (above) or reading light 1 x 24 watt with electronic ballast (below).	No lighting	Indirect lighting 1 x 54 watt with electronic ballast and orientation light 1 x 7 watt (above) or reading light 1 x 24 watt with electronic ballast (below).
<b>Accessories</b>	Top rail, bottom rail, Dräger accessories for standard rails.	Dräger accessories for standard rails.	Dräger accessories for standard rails.
<b>Rows of outlets</b>	1	1 / 2 / 3	1
<b>Outlet spacing</b>	Ensure there is at least 200 mm between gas terminal units (for flammable or oxidizing gases) and electrical outlets. The minimum distance between two media outlets is 75 mm.		
<b>Outlets</b>	Grounded outlets in various colors, with or without indicator light and in a variety of country standards, equipotential bonding pins, gas terminal units for medical gases, low-voltage devices such as nurse alert, RJ-45 data jack, telephone connections, etc.		
<b>Wall mount</b>	Via dowel pin on the wall. Torques of max. 250 Nm per metre of duct. Optional front or back media feed.		
<b>Length</b>	Up to 6 m long; freely selectable.		
<b>Surface</b>	16 different standard RAL colours to choose from; other RAL colours available on request.		
<b>Load capacity</b>	Standard rails support a max. of 50 kg per metre.		

**RAL Farben\***

	RAL 1003 – Signal yellow		RAL 5002 – Aquamarine blue		RAL 9001 – Cream
	RAL 1015 – Ivory		RAL 5005 – Signal blue		RAL 9002 – Grey white
	RAL 2004 – Orange		RAL 5014 – Pigeon blue		RAL 9005 – Jet black
	RAL 3002 – Carmine red		RAL 6024 – Traffic green		RAL 9006 – White aluminum
	RAL 3015 – Light pink		RAL 5027 – Light green		RAL 9016 – White
	RAL 4005 – Blue violet		RAL 7047 – Grey		

\*Colours can vary from original shade.

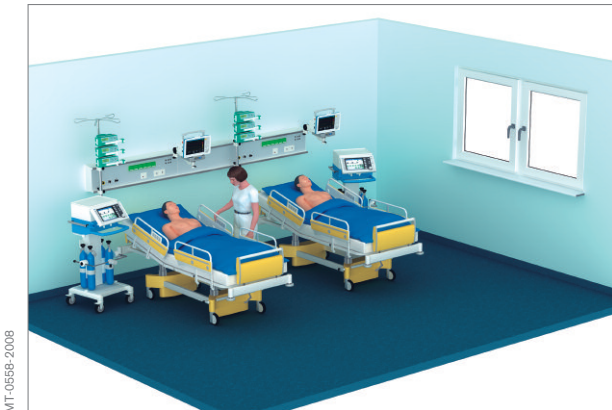
## Areas of use



Linea N



Linea IM



Linea I

### HEADQUARTERS

Drägerwerk AG & Co. KGaA  
Moislinger Allee 53–55  
23558 Lübeck, Germany

[www.draeger.com](http://www.draeger.com)

### REGION EUROPE CENTRAL AND EUROPE NORTH

Dräger Medical GmbH  
Moislinger Allee 53–55  
23558 Lübeck, Germany  
Tel +49 451 882 0  
Fax +49 451 882 2080  
[info@draeger.com](mailto:info@draeger.com)

### REGION EUROPE SOUTH

Dräger Médical S.A.S.  
Parc de Haute  
Technologie d'Antony 2  
25, rue Georges Besse  
92182 Antony Cedex, France  
Tel +33 1 46 11 56 00  
Fax +33 1 40 96 97 20  
[dlimfr-contact@draeger.com](mailto:dlimfr-contact@draeger.com)

### REGION MIDDLE EAST, AFRICA, CENTRAL AND SOUTH AMERICA

Dräger Medical GmbH  
Branch Office Dubai  
Dubai Healthcare City, P.O. Box 505108  
Dubai, United Arab Emirates  
Tel + 971 436 24 762  
Fax + 971 436 24 761  
[contactuae@draeger.com](mailto:contactuae@draeger.com)

### REGION ASIA / PACIFIC

Dräger Medical  
South East Asia Pte Ltd  
25 International Business Park  
#04-27/29 German Centre  
Singapore 609916, Singapore  
Tel +65 6572 4388  
Fax +65 6572 4399  
[asia.pacific@draeger.com](mailto:asia.pacific@draeger.com)

### REGION NORTH AMERICA

Draeger Medical, Inc.  
3135 Quarry Road  
Telford, PA 18969-1042, USA  
Tel +1 215 721 5400  
Toll-free +1 800 437 2437  
Fax +1 215 723 5935  
[info.usa@draeger.com](mailto:info.usa@draeger.com)

### Manufacturer:

V.T.S. Vision Technology Systems  
GmbH Arnsberg, Germany  
The quality management system of V.T.S.  
Vision Technology Systems GmbH is  
certified according to ISO 13485,  
ISO 9001 and Annex II of Directive  
93/42/EEC (medical devices).